

Bucket Seat Measurement Chart

Vehicle Make: _____ Model: _____ Year: _____

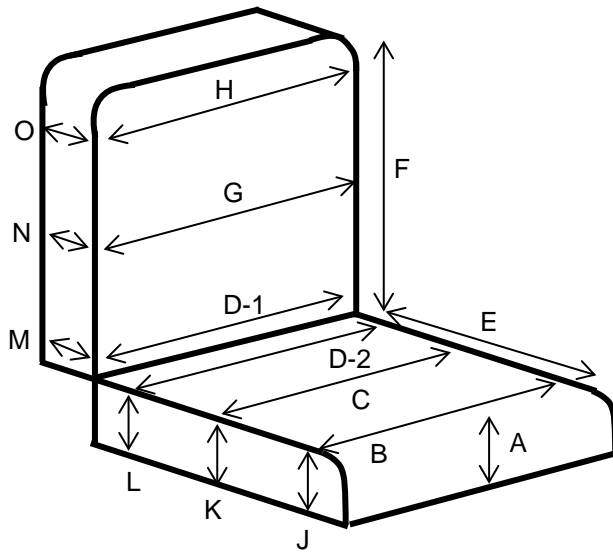
Seat Mounted Air Bags: Yes / No

Electric Seats: Yes / No

Removeable Headrests: Yes / No

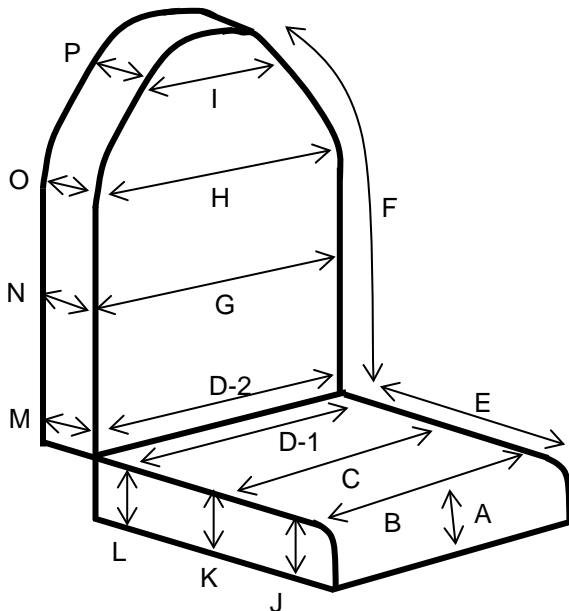
Adjustable Headrests: Yes / No

Lowback Seat



(Please Indicate Which Seat Type)

Highback Seat



A _____

B _____

C _____

D-1 _____

D-2 _____

E _____

F _____

G _____

H _____

I _____

J _____

K _____

L _____

M _____

N _____

O _____

P _____